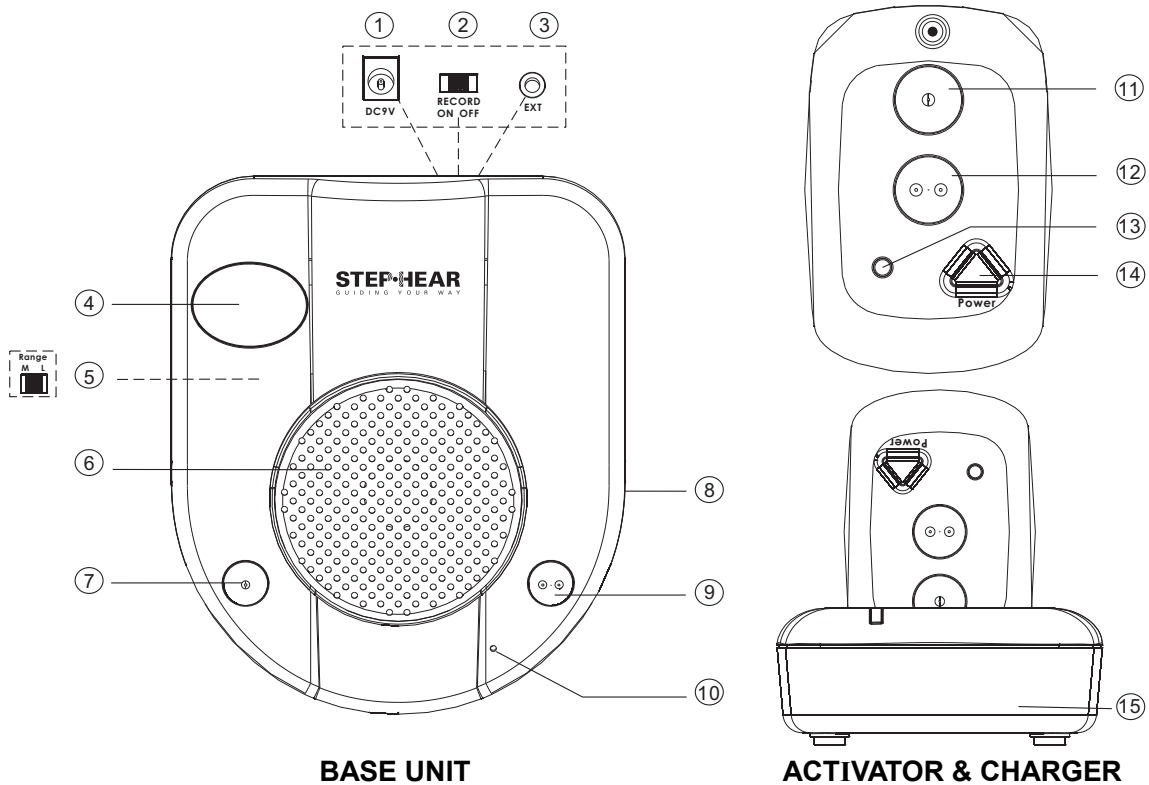


Instruction Manual

Model: STEP-HEAR™

Rev: 1.3

Location of controls



- | | |
|--|---------------------------------------|
| 1. Socket for power jack | 8. Volume control switch |
| 2. Record ON/OFF switch | 9. Press and hold to record message 2 |
| 3. Socket for external powerful flashing light | 10. Microphone |
| 4. Flashing light/ battery low indicator | 11. Press to check message 1 |
| 5. Range Normal/Long switch | 12. Press to check message 2 |
| 6. Speaker | 13. LED indicator |
| 7. Press and hold to record message 1 | 14. Power ON/OFF button |
| | 15. Charger |

Connecting the AC Adaptor of the Base Unit

1. Plug the power cord of the AC adaptor into the jack labeled DC 9V on the back of the Unit (1).
2. Plug the other end of the power cord into an electric outlet.

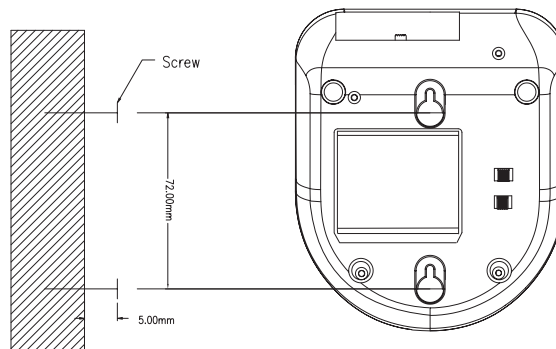
Fitting the batteries

1. The battery compartment is to be found on the underside of base unit.
2. Open the battery compartment with a small screwdriver or a pointed object.
3. Insert 4 AAA 1.5V batteries. In doing so, ensure that the polarity is correct.
4. Close the battery compartment.

The battery can be lasted up to 8 hours while mains power failure. Batteries should be used only for backup. The batteries should be changed when the red LED lights (4). All four batteries must then be replaced.

Wall mounting

Your unit is suitable for wall mounting. Use two screws for fixing. Drill two holes vertically one above the other, 72mm apart, and leave the screws protruding from the wall by 5mm. Now place the unit over the screws and push it slightly downwards.



Recording message

1. Set the **Record ON/OFF** switch (2) on the base unit to **ON**, press and hold **ANN1** (7) or **ANN2** (9).
2. Speak clearly when you hear a beep tone, the message can be up to 1 minute long.
3. Release the **ANN1** or **ANN2** button, the base unit will play the recorded message automatically. You can press **ANN1** or **ANN2** button at any time to listen the message.

Note: Please set **Record ON/OFF** switch to **OFF** after recorded your message.

Please Note:

Operators need to understand that the quality of the recordings, the contents of the information provided and the locations of installation of the base units are critical to the successful use of the STEP-HEAR™ system.

1. Record messages in a quiet environment with no background noise or sound.
2. Carefully decide on number of strategic installation points of the base units at chosen areas.
3. The provided recording messages need to be relevant and suitable to the area regardless of which direction one may approach, especially if directionality is provided. Make sure that when offering direction message, there is no alternative for it to avoid direction confusion if one travels in opposite side.

Note: Base units should be installed at least 10 meters apart from each other.

Volume control

Adjust the volume to a more comfortable listening level by sliding the **VOLUME** switch (8) on the side of base unit.

Setting the remote range (5)

The operating range can be set by the Range **Medium/Long** switch. When you set the switch to **Medium** position, the operating range is about 3 to 8 meters. When you set the switch to **Long** position, the remote range is about 3 to 10 meters. The activator will vibrate and beep automatically once in the range of the base unit.

Please note: The ranges quoted are for indication only and will vary according to local conditions and environment.

Turn the activator On/Off

To turn the activator ON, press and hold the **POWER** key (14) on the activator for 2-4 seconds until a beep tone is heard. To turn the activator OFF, press and hold the **POWER** key again until two beep tones are heard (2-4) seconds. The red LED indicator (13) will flash.

Turn the beep tone OFF

Default set is beep & vibrate on.

1. Press and hold the **POWER** key (14) to turn on the activator.
2. Press and hold the activator **1** (11) and **2** (12) buttons together for 5 seconds until a beep tone is heard. The activator will only vibrate.
3. To turn the beep ON, press and hold the **1** and **2** buttons together again until you hear a beep tone. The activator will vibrate and beep.

The activator keeps the latest settings until a new setting is received.

Pause mode

1. Press the **POWER** key once to pause the vibrating and beeping. Only the vibrator will work every 60 seconds. If the activator is out of range for 15 seconds, it will revert to normal operation mode automatically.
2. Press the **POWER** key once again at any time to resume normal activator operation.

Checking the message with the Activator

1. Press **1** (11) or **2** (12) key once on the activator.
2. The corresponding message stored in **ANN1** and **ANN2** will be heard.

Charging your activator

When the green LED on the activator (13) flashes and a tone beeps every 60 seconds, you need to charge the activator. The approximate charging time for the activator is about 2 hours.

1. Plug the supplied AC adaptor cord into the jack on the back of the charger, and the other end into an electrical outlet.
2. Place your activator into the charger, the green LED lights and the activator vibrates and beeps once. The green LED will turn off when the activator is fully charged.